



TESMEC
Trencher

Series 1475



Tesmec S.p.A.
Headquarters
Via Zanica, 17/0 - 24050 Grassobbio (BG) - Italy
Tel: +39.035.4232911 - Fax: +39.035.4522445

Tesmec USA Inc.
12520 East FM 917 - Alvarado, Texas 76009 - USA
Tel: +1.817.4732233 - Toll free: 800.8515102
Fax: +1.817.4739742

1400



GENERAL

CHAINSAW

Weight: 160,000-205,000 lbs (72'574-92'986 kg)
Chainsaw - Dependent on Configuration
Height: w/Cab -12' 3" (3.7 m) with cab elevated - 14' 6" (4.41 m)
Transport length with Crumbshoe:
8 ft boom: 42' 2" (12.8 m)
10 ft boom: 44' 7" (13.6 m)
12 ft boom: 47' 2" (14.4 m)
14 ft boom: 50' 7" (15.41 m)
16 ft boom: 52' 0" (15.8 m)
Transport Width: 138" (350 cm) With 30" (0.76 m) Track Pads
Transport Height: 12' 3" (3.7 m)

ROCK HAWG

Weight: 240,000 lbs (108'863 kg)
Height: w/ Cab 12' 3" (3.7 m), with Cab elevated - 14' 6" (4.41 m)
Transport length with Drum Guard: 38' 3" (11.66 m)
Transport Width with Drum Installed: 12' 5" (3.78 m)
Transport Height: 12' 3" (3.7 m)

STANDARD FEATURES

Pressurized, Elevating ROPS Cab with air conditioning, heating, and sound suppression
Load control: operator selectable digging pressure, automatic operation
Battery Box and Toolbox with locking door
Fuel and Hydraulic Tank: aircraft quality locking caps
Flywheel Gearbox and Hydraulic Tanks: pressurized with 5 PSI filtered breathers
Flywheel Gearbox: shaved, helical gearing, case hardened for extreme shock load
Vibration isolator mount: used on engine, radiator, oil cooler, and exhaust silencer
Stabilizers / Dirt Drags (Chainsaw Only): automatically adjust to terrain changes
Lights: 24 Volt forward facing
Digging Chain Boom Top Roller
Hydraulic Digging Chain Adjustment
Hydraulic Cooler Externally Mounted

ENGINE

Model: Caterpillar C18 ACERT Tier 3
Description: Turbocharged and air to air after cooled
Number of cylinders: 6 In-Line
Maximum no load RPM: 2100
Maximum gross horsepower at no load: 630 HP (470 kW)
Cooling Medium: extended life coolant
Cooling Rating: adequate for 122° F (50° C) ambient air temperature

Air cleaner: dry type, centrifugal precleaner with primary and secondary filters
Oil filter: full flow canister
Fuel filter: primary and secondary
Electrical system: 24V Starting, 12V Controls
Fuel tank capacity: 360 gal. (1,363 L)
Fuel consumption at full load: 34.6 gal/hr (131 l/hr)
Operating range at full load: 10.4 hours

HYDRAULIC SYSTEM

Type: Pressure and flow compensated (Load sensing)
Pump flow maximum: 45 GPM (170 L/min)
Pressure setting: 2500 PSI (172 Bar)
Oil Tank Capacity: 191 Gallons (723 L)

CRAWLER DRIVE

Dual path, hydrostatic drive, planetary transmissions capable of full counter rotation with single lever steering, single lever direction
Infinitely variable speed: Forward and reverse,
High Range: 0 – 1.62 Mph (2.59 km/hr)
Low Range: 0 – .81 Mph (1.30 km/hr)
Integral parking brake: Spring applied, hydraulic release, wet disc brake

TRACKS

Overall Center to Center Track Length: 159" (404 cm)
Track pad type: single, double, or triple grouser
Track chain type: Caterpillar 62/350
Track chain pitch: 9.000" (22.86 cm)
Track pad width: 30" (76.2 cm)

CROSS CONVEYOR

CHAINSAW ONLY
Hydrostatic: one pump and two motors
Description: reversible and shiftable
Belt speed: infinitely variable 0-900 FPM (0-274.3 m/min)
Conveyor belt width: 36" (91.4 cm)
Conveyor length: 14' 9" (449.6 cm)
Discharge height: 7' 7" (231.1 cm)
Discharge direction: right or left

TRENCHER DRIVE

CHAINSAW

Hydrostatic: four pumps and two motors capable of transmitting full engine horsepower
Depths: 8' through 16' (244 cm through 488 cm)
Widths: 28"-48" (71-122 cm) Depths: 28"-42" (71-107 cm) Maximum 12' (3.6 m)
28"-36" (71-91 cm) Maximum 14' (4.3 m)
Four Operator Selectable Digging Speed Ranges:
0-400 FPM (0-122 m/min)
0-470 FPM (0-143 m/min)
0-530 FPM (0-162 m/min)
0-600 FPM (0-183 m/min)
Tailwheel diameter: 48" (122 cm)
Headshaft diameter: 12-1/8" (30.8 cm)
Cutters: rotary carbide tipped 1-1/2" (3.81 cm) shank diameter
Digging Chain: D9L

ROCK HAWG

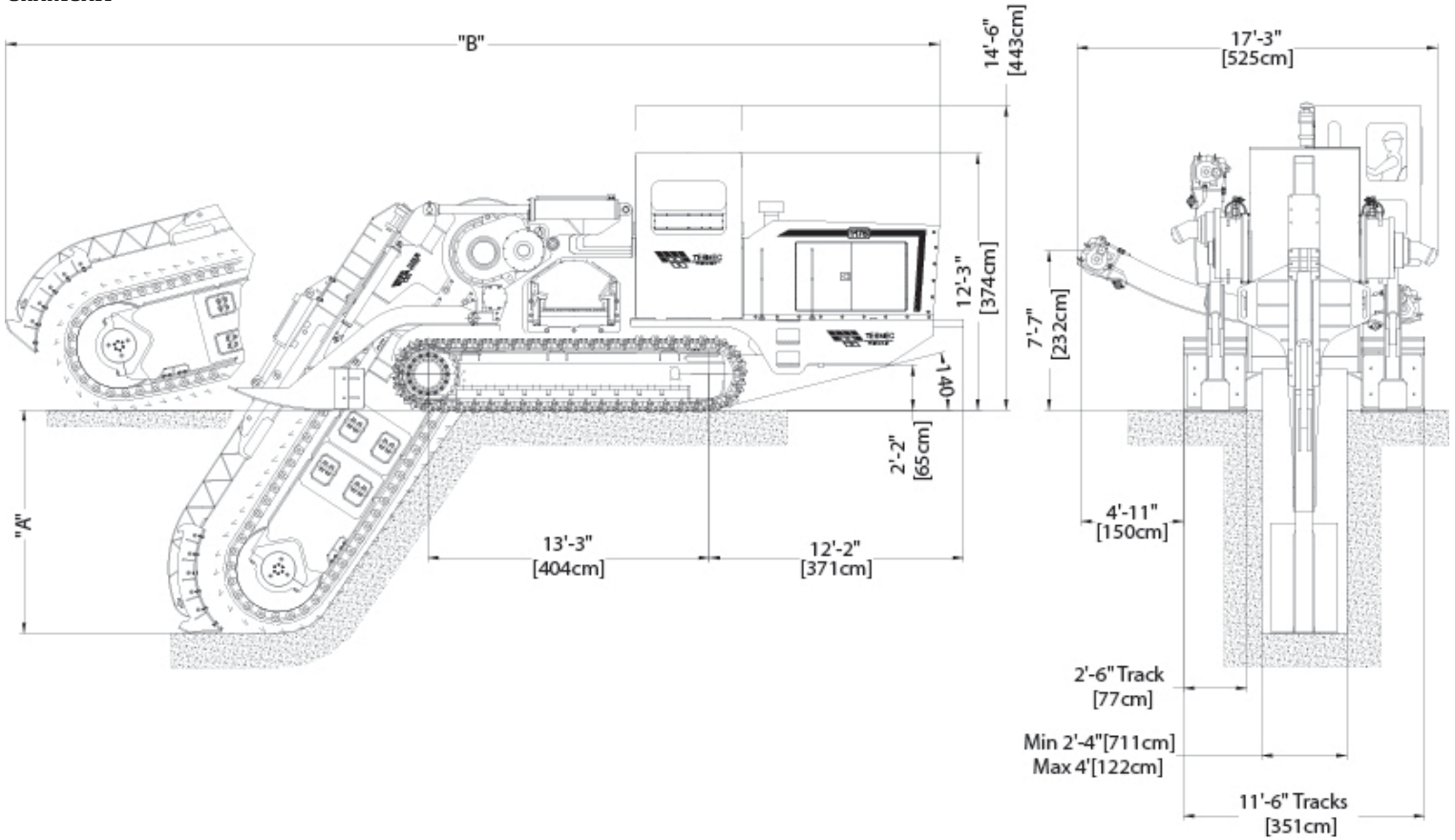
Hydrostatic: four pumps and two motors capable of transmitting full engine horsepower
Max Depth: 0-24" (0-61 cm)
Digging depth for best typical production: 14" (35.6 cm)
Widths: 149" (378 cm)
Four Operator Selectable Digging Speed Ranges:
0-400 FPM (0-122 m/min)
0-470 FPM (0-143 m/min)
0-530 FPM (0-162 m/min)
0-600 FPM (0-183 m/min)
Cutters: rotary carbide tipped 1-1/2" (3.81 cm) shank diameter
Drum Tool Tip Diameter: 85.9" (218 cm)

OPTIONS

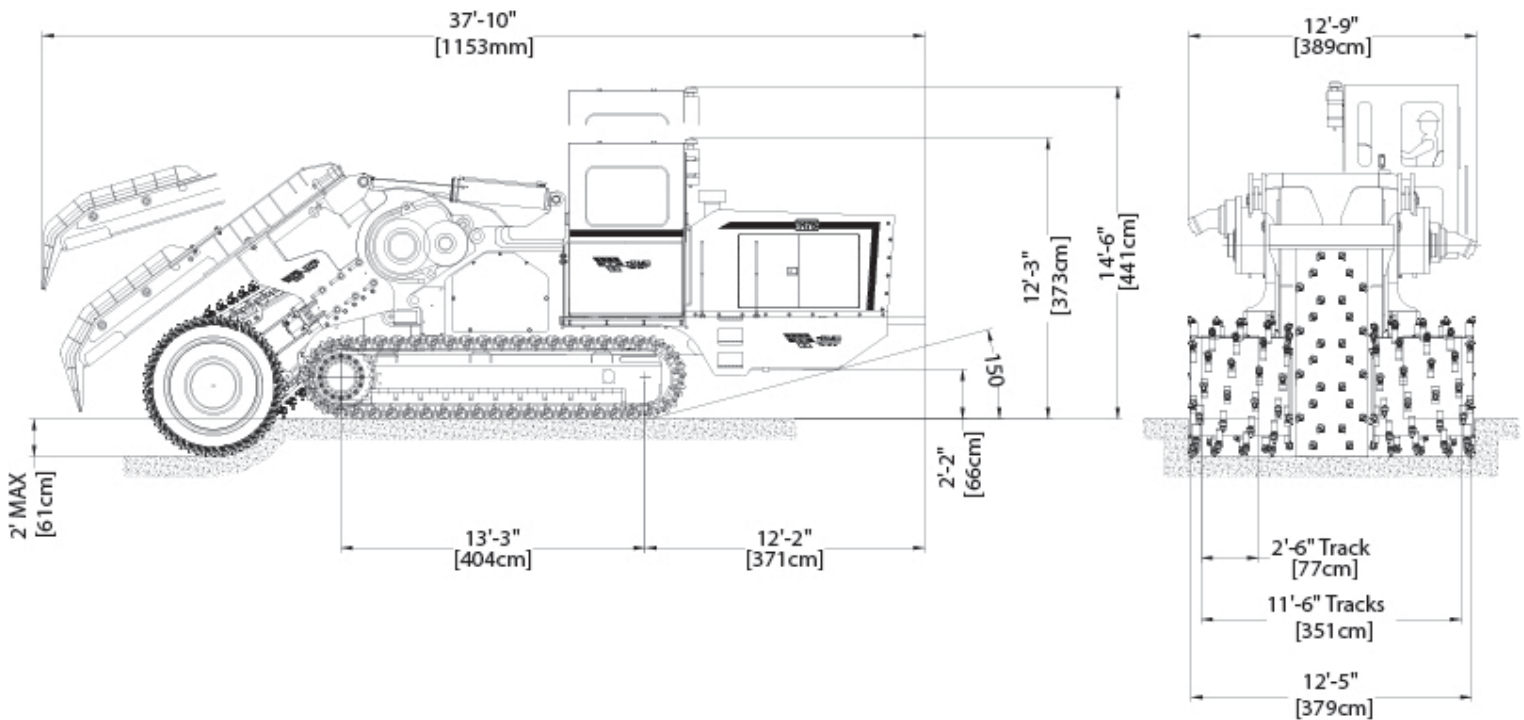
CE certified
Cab Anti-Vandalism Window Covers
Work Light Package: 24V, for night use
Air Compressor
Laser Control System Pre-Wire
Hydraulic Crumbshoe
Caterpillar and Cat are trademarks of Caterpillar Inc.



CHAINSAW



ROCK HAWG



Keep you updated on: www.tesmec.com

Tesmec S.p.A.
Headquarters
Via Zanica, 17/0 - 24050 Grassobbio (BG) - Italy
Tel: +39.035.4232911 - Fax: +39.035.4522445

Tesmec USA Inc.
12520 East FM 917 - Alvarado, Texas 76009 - USA
Tel: +1.817.4732233 - Toll free: 800.8515102
Fax: +1.817.4739742



TESMEC
Trencher

Series 1475

Specifications



www.tesmec.com

Keep you updated on: www.tesmec.com

Tesmec S.p.A.
Headquarters
Via Zanica, 17/0 - 24050 Grassobbio (BG) - Italy
Tel: +39.035.4232911 - Fax: +39.035.4522445

Tesmec USA Inc.
12520 East FM 917 - Alvarado, Texas 76009 - USA
Tel: +1.817.4732233 - Toll free: 800.8515102
Fax: +1.817.4739742

1400