

TRS-1150



TESMEC
USA, INC.

12520 East FM 917 • Alvarado, Texas 76009
817.473.2233 • toll-free 800.851.5102 • fax 817.473.9742
www.tesmec.com



24050 Grassobbio (BG) Italy • via Zanica 17/O
tel +39 035 423.2911 • fax +39 035 335.664
www.tesmec.it

TESMEC TRS-1150

Rocksaw Specifications

GENERAL

Weight: 99,000 LB. (45,000 Kg)
Height: w/Cab -133" (337 cm)
Transport length with cover and counterweight:
36' (10,9 m)
Width: 100" (254 cm)

STANDARD FEATURES

Pressurized Cab ROPS with air conditioning, heating and sound suppression
Creep control: Operator selectable digging pressure, automatic operation
Stabilizers with adjustable drags
Tool box with locking door
Engine doors with security locks
Fuel and Hydraulic Tank: Aircraft quality locking caps
Gearboxes, Fuel and Hydraulic Tanks: Pressurized with 5 PSI filtered breathers
Flywheel Gearboxes: shaved, helical gearing, case hardened for extreme shock load
Vibration isolator mounts: used on engine, radiator, oil cooler, exhaust silencer and cab

ENGINE

Model: CAT C-13
Description: Turbocharged and After Cooled
Maximum gross horsepower:
440 HP (328 kW)
Number of cylinders: 6 In-Line
Maximum no load RPM: 2150
Cooling Medium: Liquid
Cooling Rating:
Adequate for 130° F (54.4° C) ambient air temperature

Air cleaner: Dry type, 2 stage with dual precleaner
Oil filter: Full flow canister
Fuel filter: Primary and secondary
Electrical system: 24V
Fuel tank capacity: 280 gal. (1060 L)
Fuel consumption at full load:
22 gal/hr (83 l/hr)
Operating range: 13 hours

HYDRAULIC SYSTEM

Type: Pressure and flow compensated (Load sensing)
Auxiliary pump flow maximum:
40 GPM (150 L/min.)
Auxiliary pressure setting: 2500 PSI (172 Bar)
Oil tank capacity: 100 gallons (378.5 L)
Oil type: ATF, Type F

CRAWLER DRIVE

Dual path, hydrostatic drive, planetary transmissions capable of full counter rotation with single lever steering, single lever direction
Infinitely variable speed: Forward and reverse,
High Range: 0 -2.77 Mph (4.46 km/hr)
Low Range: 0 -1.25 Mph (2.01 km/hr)
Integral parking and service brake: Spring applied, hydraulic release, wet disc brake

TRACKS

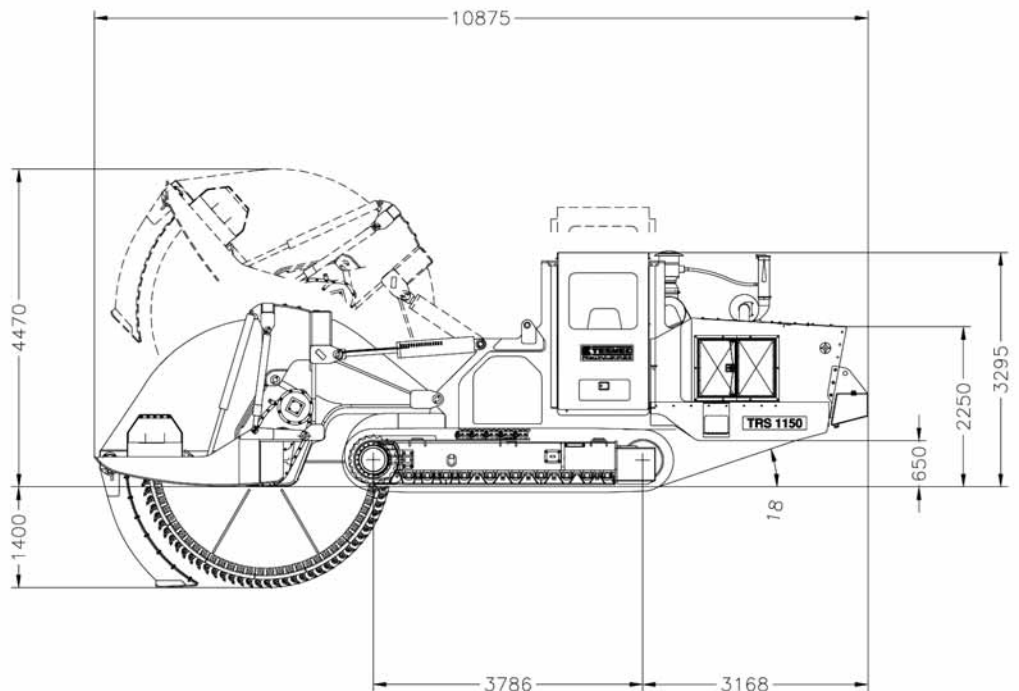
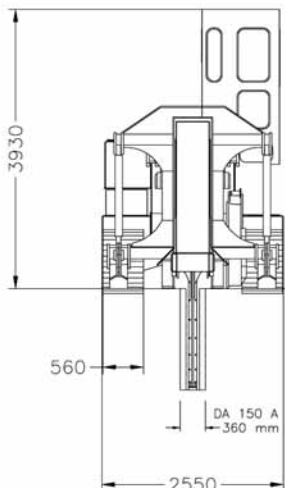
Overall Track Length: 149" (378 cm)
Track pad type: single, double, or triple grouser
Track chain type: Caterpillar 42/325 or equivalent
Track chain pitch: 7.98" (20,28 cm)
Track pad width: 22" (56 cm)

DRIVE

Hydrostatic: two pumps and two motors capable of transmitting full engine power
Chainsaw speed infinitely variable, standard ratio 0-244 m/min
Trench depth 0-1370 mm
Trench widths 152-356 mm
Optional rocksaw cover

OPTIONS

Work Light Package: 24V, for night use
Laser control system



* Caterpillar and Cat are trademarks of Caterpillar Inc.